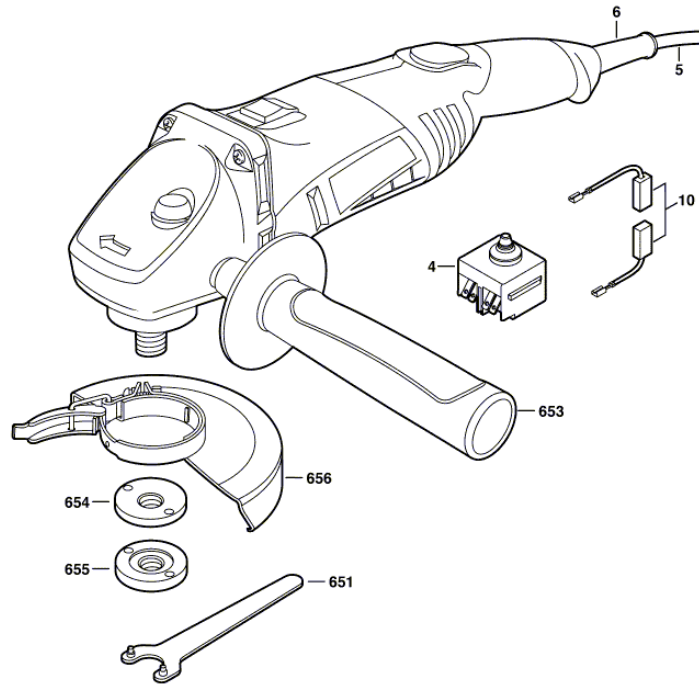


**ANGLE GRINDER**  
**F 012 933 000 9330**



19.05.2008 21:21:08

F 012 933 000  
Issue | 06-09-20 **Fig./Abb. 1**  
Stand



Anderungen vorbehalten  
Modifications reserved  
Modifications réservées  
Salvo modificaciones

Item	Quantity	Order No.	Designation	Price group	Page
4	1	2 610 938 753	ON-OFF SWITCH	18	1
5	1	2 610 938 749	CORD	20	1
6	1	2 610 938 756	GROMMET	10	1
10	1	2 610 938 712	CARBON-BRUSH SET	17	1
651	1	1 607 950 052	PIN-TYPE FACE-WRENCH	15	1
653	1	2 602 025 067	AUXILIARY HANDLE / M10, Ø 32,5x105	16	1
654	1	2 610 938 704	FLANGE	15	1
655	1	2 610 938 705	FLANGE	15	1
656	1	2 610 938 706	PROTECTIVE COVER	20	1